

ILSF is typically used in combination with pressure transmitters for pressure measurement (≥ 2 barg) applications. Its pressure rating is defined by the flanges between which it is clamped and as such it can be used for all pressure ratings.



STANDARD EXECUTION

DIAPHRAGM	BODY	MOUNTING CONNECTION
AISI 316(L)	AISI 316(L)	side (radial)
FACING	TYPE	
RF	type B1	

FLANGED PROCESS CONNECTIONS

ASME B16.5

size	rating
1"	cl. 150 – cl. 2500
1.5"	cl. 150 – cl. 2500
2"	cl. 150 – cl. 2500
3"	cl. 150 – cl. 2500
4"	cl. 150 – cl. 2500
5"	cl. 150 – cl. 2500
6"	cl. 150 – cl. 2500

EN 1092-1

size	rating
DN25	PN10 – PN400
DN40	PN10 – PN400
DN50	PN10 – PN400
DN80	PN10 – PN400
DN100	PN10 – PN400
DN125	PN10 – PN400
DN150	PN10 – PN400

WETTED PARTS, BODY MATERIALS, AND FACING OPTIONS

diaphragm material	body material
AISI 316(L)	AISI 316(L)
Hastelloy C-276	
Hastelloy C4	

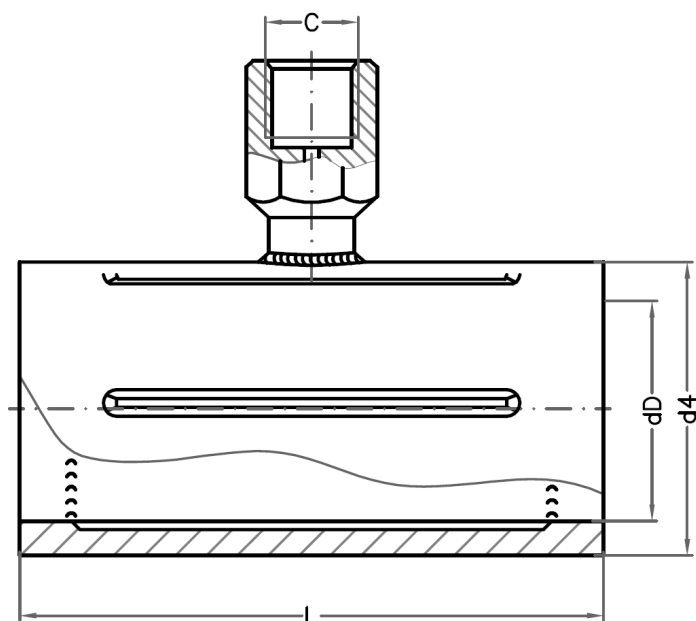
facing (ASME B16.5)	
RF	Ra 3.2-6.3 μm
LGF	Ra <3.2 μm
LMF	Ra 3.2-6.3 μm

facing type (EN 1092-1)	
B1	Ra 3.2-12.5 μm
B2	Ra 0.8-3.2 μm
D	Ra 0.8-3.2 μm
E	Ra 3.2-12.5 μm

OPTION

- Sanitary connection

DRAWING AND DIMENSIONS STANDARD EXECUTIONS



ASME B16.5 - RF FACING

size	rating	facing	dD	d4	L	L(optional)
1"	cl. 150 – cl. 2500	RF	29	50	100	60
1.5"	cl. 150 – cl. 2500	RF	43	73	100	60
2"	cl. 150 – cl. 2500	RF	55	92	100	60
2.5"	cl. 150 – cl. 2500	RF	70	105	100	60
3"	cl. 150 – cl. 2500	RF	83	127	60	100
4"	cl. 150 – cl. 2500	RF	107	157	60	100
5"	cl. 150 – cl. 2500	RF	127	188	60	100
6"	cl. 150 – cl. 2500	RF	154	216	60	100

All dimensions in mm

EN 1092-1 - TYPE B1

size	rating	type	dD	d4	L	L(optional)
DN25	PN10-400	B1	29	68	100	60
DN40	PN10-400	B1	43	88	100	60
DN50	PN10-400	B1	55	100	100	60
DN65	PN10-400	B1	70	120	100	60
DN80	PN10-400	B1	83	138	60	60
DN100	PN10-400	B1	107	160	60	100
DN125	PN10-400	B1	127	188	60	100
DN150	PN10-400	B1	154	216	60	100

All dimensions in mm



Holland – United Kingdom – Romania – India – Thailand – Dubai – USA

To our knowledge, the information contained herein is accurate as of the date of this document. However neither Badotherm, nor its affiliates makes any warranty, express or limited, or accepts any liability in connection with this information or its use. This information is for technical skilled persons at their own discretion and risk and does not relate to the use of this product in combination with any other product. The user alone finally determines suitability of any information or material in contemplated use, the manner of use and whether any patents are infringed. This information gives typical properties only.

Badotherm reserves the right to make changes to the specifications and materials without prior notice. The latest version of the datasheet can be found on www.badotherm.com.

© 2001 Badotherm, all rights reserved. Trademarks and/or other products referenced herein are either trademarks or registered trademarks of Badotherm.